



WATER STORAGE SOLUTIONS



TANK

Terra is an imposing classic terracotta urn design and makes for a distinct garden feature with bold curved lines. Comes with a brass tap.

- TANK800GR - Green
- TANK800BL - Black
- TANK800G - Granite
- TANK800S - Sandstone

800Ltrs (h): 1790mm x (w): 800mm x (d): 600mm

CONNECTION POINTS



ACCESSORIES



- **Universal Fit Diverter with Filter** (tank connector and hose) RC2BL, RC2G, RC2WH or RC2B in black, grey, white or brown



- **Universal Fit Diverter with Tap** (tank connector and hose) RC1G, RC1B in grey, or brown



- **Universal Long Link Kits** - 9000123U, 9000123UU2, or 9000123UU5 for the 1, 2 or 5 metres lengths



- **3/4" Tank to Tank Connection Kit** - 9000326



- **Hole-saw kit with rubber grommets** required to make hole for tank to tank connector

Delivered free along with the water butt (otherwise delivery charge of £5 will apply)

INSTALLATION INSTRUCTIONS

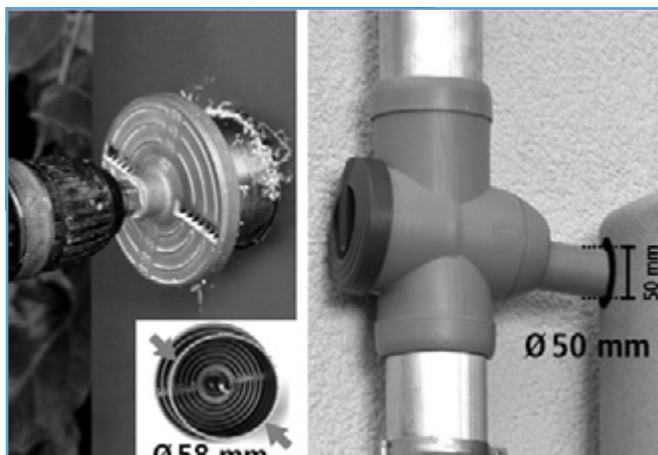
The Tank is delivered with a full kit including a plastic tap, wall brackets, screws and hole saw. To fill the Tank, we recommend using the 3P Filter Collector Universal with Universal Long Link Kit. We recommend using the our Universal Fit Diverter with Filter (or with Tap) to fill the waterbutt. You may also use other UK diverters but you'll need to refer to the instructions that come with that particular diverter.

Where the waterbutt cannot be located within 30cm of the downpipe, ask about our longer Universal Long Link Kits available to order in 1, 2 or 5 metres lengths. Order the closest size above the required length and cut down.



1. Setting Up

Site the waterbutt on a firm, level surface, adjacent to the downpipe.



2. Fitting a Universal Fit Diverter with Filter or with Tap/ Connection to the downpipe

Locate the area to form a hole for connecting the diverter. Use the hole saw set - take care to select the right size saw - Choose the 32mm hole saw for the 32mm connection or 58mm hole saw for the 50mm connection (i.e 'push-fit' connecting the Universal diverter)



3. Connecting the Tap and multiple tanks

The side ports can be used to form a system of interconnected tanks.

You can also connect pumps to the side port. We recommend the Steelpump XAJE80P.

There is a 3/4" BSP thread at 30cm above tank base to connect a tap or other 3/4" fitting.



4. Installing the wall bracket

- A) Locate the correct position
- B) Mark the position and drill.
- C) Attach the bracket to the tank using the nut and bolt supplied
- D) Attach the bracket to the wall using the screw supplied

Note: You may need to use alternative fittings depending on your wall type. If in doubt, consult a professional.



5. Winter Care Precautions

In times of **prolonged** freezing weather, the Tank should be drained down completely by removing either of the lower side plugs.

The side port