

# Modulock Raised Deck Supports - Installation

## Harmer Pedestal

A stable sub-base and, in the case of exposed external use, an adequate means of surface water drainage are virtually the only prerequisites for the use of the Harmer Modulock system. Irregular, stepped, uneven or sloping sub-bases can usually be easily surmounted by the system resulting in a new level raised floor.

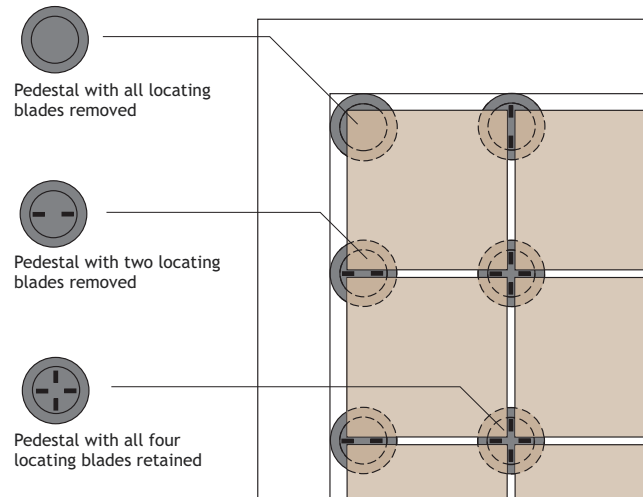
The broad sequences of installation are illustrated in relation to a typical paved pedestrian deck erected over an existing drained sub-base.

### Installation Sequence

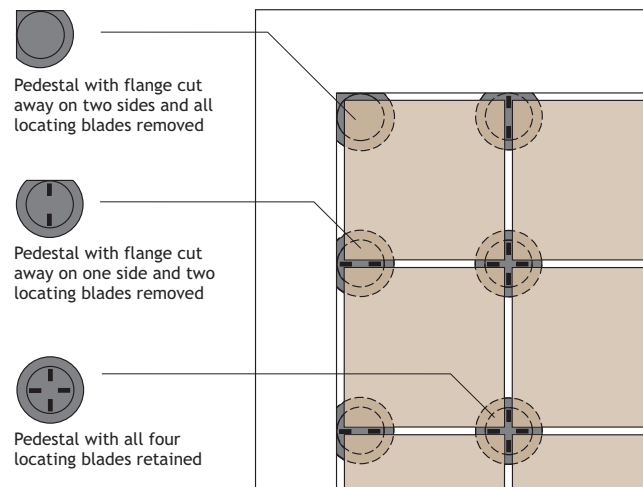
1. Check condition of sub-base, waterproofing and drainage points. Rectify any defects and clear drainage outlets as a preliminary measure.
2. Set out pattern of pedestal supports, selected to suit new deck height and paving modules.
3. Use supporting heads with linear blade configurations at edges of deck and at any intermediate surface interruptions.
4. Adjust pedestal screwjacks to the approximate height required, checking for level and alignment.
5. Finalise the layout of the pedestals. For convenience, use a lightweight template for checking positions and to avoid undue lifting of heavy paving slabs.
6. Proceed to lay the paving slabs, ensuring that each slab corner is firmly seated on the pedestal head and butted up to the locating blades.
7. Final adjustment to level can be made by using the adjustment key.

## Alternative Edge Details

### 1. With wide open joint at perimeter.



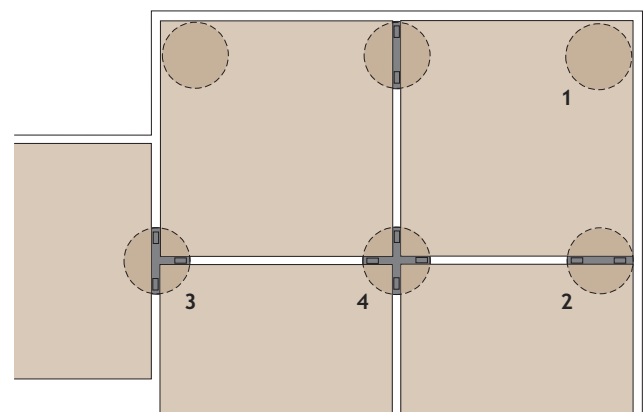
### 2. With narrow open joint at perimeter.



## Harmer Uni-Ring

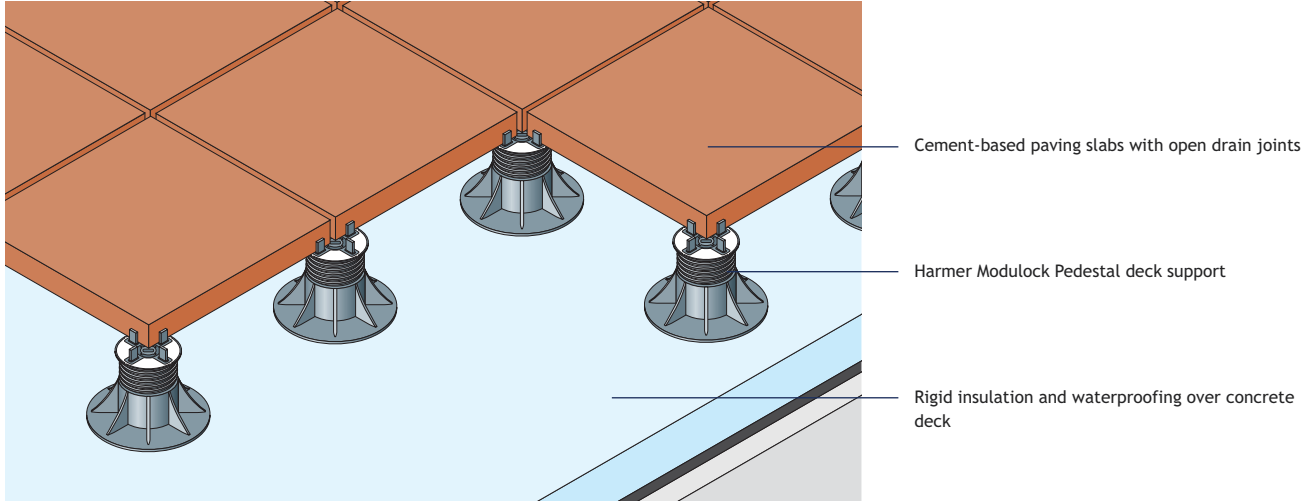
1. All four optional spacers hammered down flush with ring at perimeter of enclosing wall or parapet.
2. Two optional spacers hammered down at junction of two slabs.
3. One optional spacer hammered down at junction of three slabs.
4. All four optional spacers left upstanding at junction of four slabs.

Harmer Uni-Ring can accommodate a variety of paving slab thicknesses. The unit sizes, spanning capacity and loading of the slabs will determine the spacing and layout pattern of a paving slab support system.

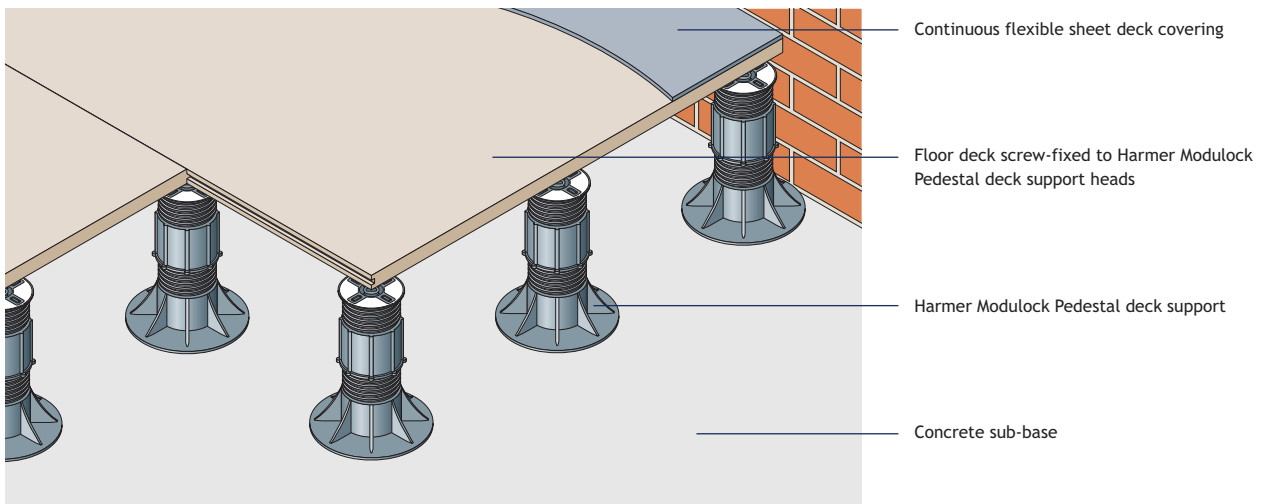


# Modulock Raised Deck Supports - Application Details

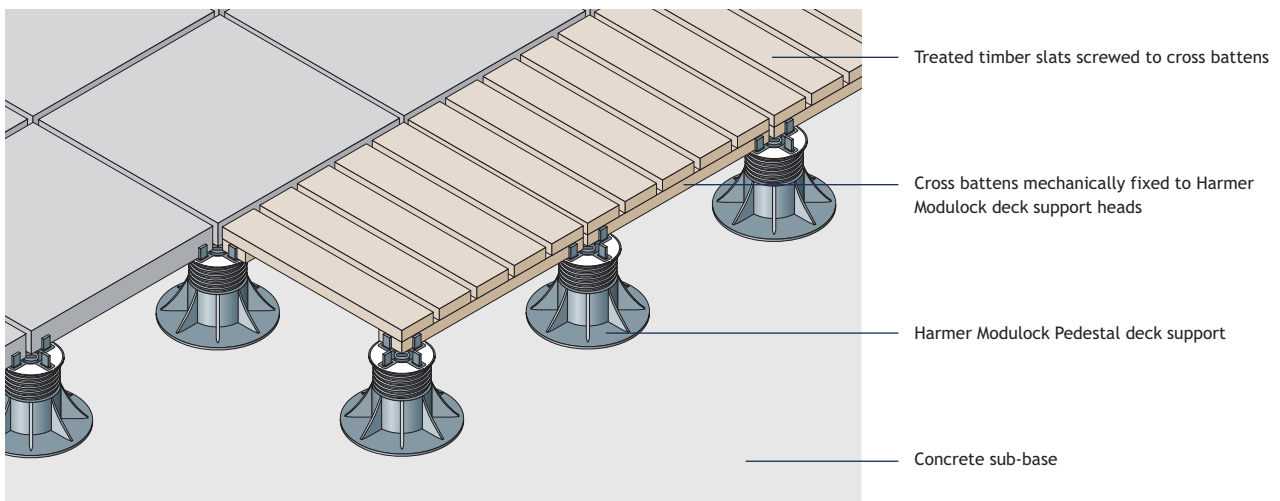
## Paving Slabs with Open Joints on Harmer Modulock Pedestal



## Sheet Decking on Harmer Modulock Pedestal

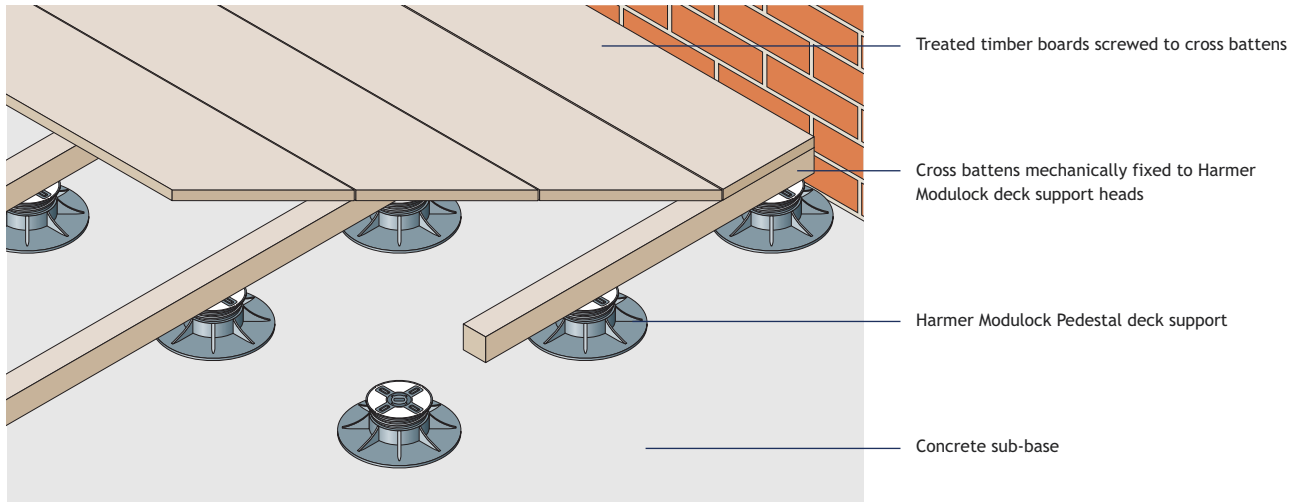


## Timber Slats on Battens on Harmer Modulock Pedestal



# Modulock Raised Deck Supports - Application Details

## Open Jointed Boards on Battens on Harmer Modulock Pedestal



## Paving Slabs on Harmer Modulock Uni-Ring

